

Luminaire Specification

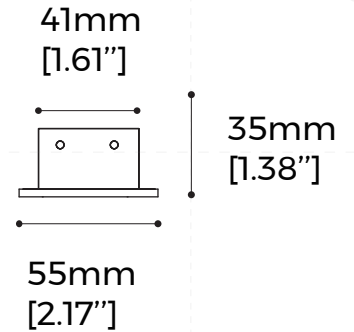
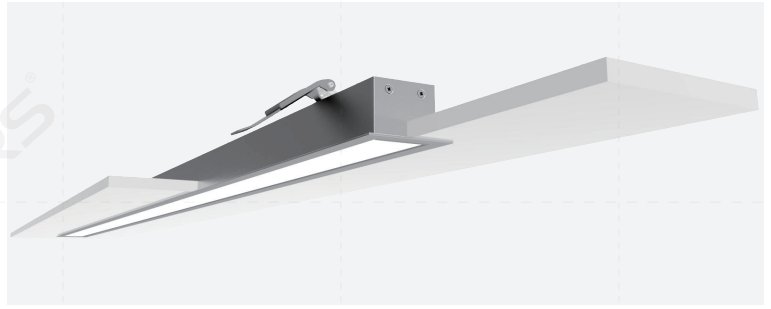
BE5535FP_Luminaire

— BASIC series



[Features]

- Material: AL6063-T5, spraying surface / anodizing
- Coating: Silver anodized (RAL9006), Black (RAL9005), White (RAL9003)
- Lighting direction: downward
- Light efficiency: 90 LM/W
- Dimming method: Non/ DALI-2+PUSH/ 1-10V optional
- Length: 1200mm/1800mm optional, (other length on request)
- SDCM≤3(ANSI)
- CRI:80/90
- CCT:2700/3000/3500/4000/5000/6500K optional
- Input voltage: AC220-240V
- Application: Indoor
- Installation method: Recessed
- IP grade: IP20
- Certification: CB, CE, UKCA, ROHS, Reach
- Warranty: 5 years



[Photo-electric parameters]

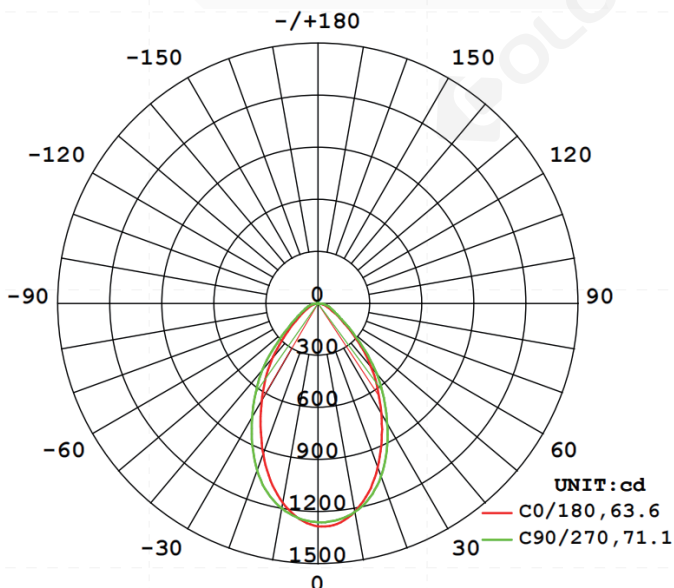
Version	Model	Length	Input Voltage (V)	Max. Current (A)	Type Power (W)	Max. Power (W)	CRI	CCT	Lumen (LM)
Normal	LLS-BE5535FPXSS1200(N)	1200mm [3.94ft]	220VAC-240VAC	0.1 [0.03A/ft]	19 [4.82W/ft]	21 [5.33W/ft]	>80	2700K	1580 [400LM/ft]
								3000K	1620 [410LM/ft]
								3500K	1650 [420LM/ft]
								4000K	1710 [430LM/ft]
								5000K	1710 [430LM/ft]
								6500K	1710 [430LM/ft]
							>90	2700K	1330 [340LM/ft]
								3000K	1360 [350LM/ft]
								3500K	1400 [360LM/ft]
								4000K	1460 [370LM/ft]
								5000K	1460 [370LM/ft]
								6500K	1460 [370LM/ft]

Normal	LLS-BE5535FPXSS1800(N)	1800mm [5.91ft]	220VAC~ 240VAC	0.13 [0.03A/ft]	27 [4.57W/ft]	30 [5.08W/ft]	>80	2700K	2250 [380LM/ft]
								3000K	2300 [390LM/ft]
								3500K	2340 [400LM/ft]
								4000K	2430 [410LM/ft]
								5000K	2430 [410LM/ft]
								6500K	2430 [410LM/ft]
							>90	2700K	1890 [470LM/ft]
								3000K	1930 [320LM/ft]
								3500K	1980 [340LM/ft]
								4000K	2070 [350LM/ft]
								5000K	2070 [350LM/ft]
								6500K	2070 [350LM/ft]

Note:

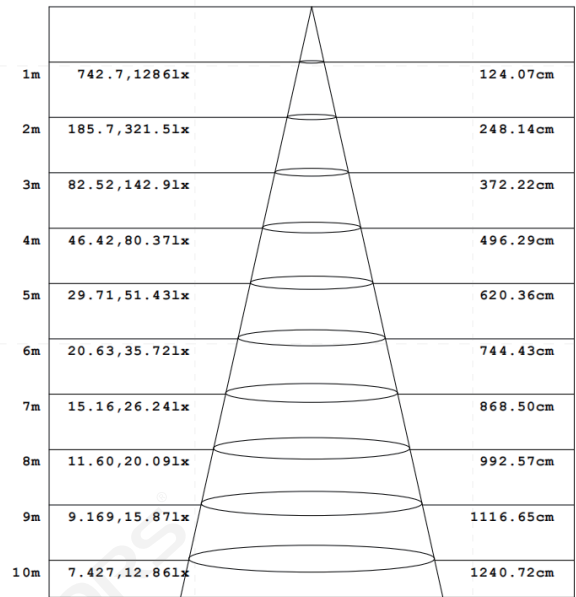
1. The above parameters were tested based on 1.2M(3.94') standard products;
2. luminous flux is allowed to have a ±10% error range;
3. The above parameters are typical values.

[Optical Parameter]



luminous intensity
distribution diagram

Flux out: 911.0 lm



Note: The Curves indicate the illuminated area and the average illumination when the luminaire is at different distance.

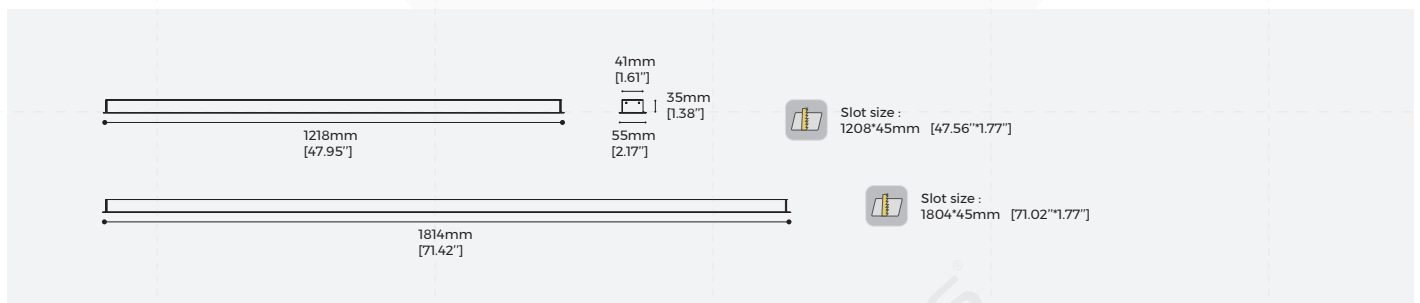
AAI Figure

【Product UGR】


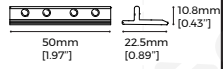



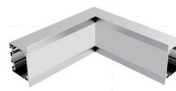


ceiling/cavity	0.7	0.7	0.5	0.5	0.3	0.7	0.7	0.5	0.5	0.3	
walls	0.5	0.3	0.5	0.3	0.3	0.5	0.3	0.5	0.3	0.3	
working plane	0.2	0.2	0.2	0.2	0.2	0.2	0.2	0.2	0.2	0.2	
Room dimensions	Viewed crosswise					Viewed endwise					
x = 2H y = 2H	2H	17.5	18.7	17.8	18.9	19.2	17.9	19.1	18.2	19.3	19.5
	3H	18.0	19.1	18.3	19.3	19.6	18.5	19.6	18.8	19.9	20.1
	4H	18.2	19.2	18.5	19.5	19.7	18.9	19.9	19.2	20.2	20.4
	6H	18.3	19.3	18.6	19.6	19.9	19.2	20.2	19.5	20.5	20.8
	8H	18.3	19.3	18.7	19.6	19.9	19.3	20.3	19.7	20.6	20.9
	12H	18.3	19.2	18.7	19.5	19.8	19.5	20.4	19.8	20.7	21.0
4H	2H	17.7	18.8	18.0	19.0	19.3	18.1	19.1	18.4	19.4	19.6
	3H	18.4	19.3	18.7	19.6	19.9	18.9	19.8	19.2	20.1	20.4
	4H	18.7	19.5	19.1	19.8	20.2	19.4	20.2	19.7	20.5	20.9
	6H	18.9	19.7	19.3	20.0	20.4	19.9	20.6	20.3	20.9	21.3
	8H	19.0	19.7	19.4	20.1	20.5	20.1	20.7	20.5	21.1	21.5
	12H	19.0	19.6	19.4	20.0	20.4	20.2	20.9	20.7	21.3	21.7
8H	4H	18.8	19.5	19.3	19.9	20.3	19.5	20.2	19.9	20.5	20.9
	6H	19.2	19.8	19.7	20.2	20.7	20.1	20.7	20.6	21.1	21.5
	8H	19.4	19.8	19.8	20.3	20.8	20.4	20.9	20.9	21.3	21.8
	12H	19.4	19.8	19.9	20.3	20.8	20.7	21.1	21.2	21.6	22.1
12H	4H	18.9	19.5	19.3	19.9	20.3	19.5	20.1	19.9	20.5	20.9
	6H	19.3	19.8	19.8	20.2	20.7	20.1	20.6	20.6	21.1	21.5
	8H	19.4	19.9	19.9	20.3	20.8	20.5	20.9	20.9	21.3	21.8
Variations with the observer position at spacings:											
S = 1.0H	+ 0.8 / - 1.0					+ 0.6 / - 0.8					
1.5H	+ 0.6 / - 0.8					+ 0.5 / - 0.6					
2.0H	+ 1.5 / - 1.3					+ 1.4 / - 0.9					

CIE Pub.117, 1788 lm Total Lamp Luminous Flux Correct (8log(F/F0) = 2.0)

【Product mechanical data】



[Product Accessories Information]

Picture	Section size	Name	Description	Model	Note
		Splicing bar	Size: L50*W22.5*H10.8mm [Inch size: L1.97**W0.89**H0.43"]	EX-17	Splicing Accessories
	/	Recessed buckle	Size: L68.5*W35*H31.6mm [Inch size: L2.70**W1.38**H1.24"]	RB-02	Installation Accessories
	/	L shaped corner	Without lighting source; Size: L150*W150*H35mm [Inch Size: L5.91**W5.91**H1.38"]	L90-BE5535	Customizable interconnected corners
	/	L shaped corner (light from outward)	Without lighting source; Size: L150*W150*H55mm [Inch Size: L5.91**W5.91**H2.17"]	L90W-BE5535	
	/	L shaped corner (light from inward)	Without lighting source; Size: L150*W150*H55mm [Inch Size: L5.91**W5.91**H2.17"]	L90N-BE5535	
	/	T shaped corner	Without lighting source; Size: L300*W177.5*H35mm [Inch Size: L5.91**W6.99**H1.38"]	T90-BE5535	
	/	X shaped corner	Without lighting source; Size: L300*W300*H35mm [Inch Size: L11.81**W11.81**H1.38"]	X90-BE5535	

[Packing]

Model	Demension (mm)	Quantity /box	Quantity /carton	NW (kg)	NW /carton/(kg)	GW (kg)	Carton size (mm)
LLS-BE5535FPXSS1200(N) -T19NW8D-DC	1218*55*35 [47.95"*2.17"*1.38"]	1	6	1.10	6.60	11.0	1298*215*210 [51.10"*8.46"*8.27"]
LLS-BE5535FPXSS1800(N) -T27NW8D-DC	1814*55*35 [71.42"*2.17"*1.38"]	1	6	1.60	9.60	16.0	1894*215*210 [74.57"*8.46"*8.27"]

[Attentions]

- 1、 Non-professionals are prohibited from installing, disassembling and repairing the product.
- 2、 Avoid scratching, distortion and irregular bending of the product during installation; otherwise it may cause irreparable damage to the product.
- 3、 Please use professional cutting tools when cutting
- 4、 Do not use any acid or alkaline adhesive to fix products
- 5、 The product is only suitable for indoor dry places, can not be used in outdoor, seaside or wet environment.
- 6、 PC features: Each 10°C rise or drop will make diffuser extend or shrink 0.8mm/m, please confirm before processing and use